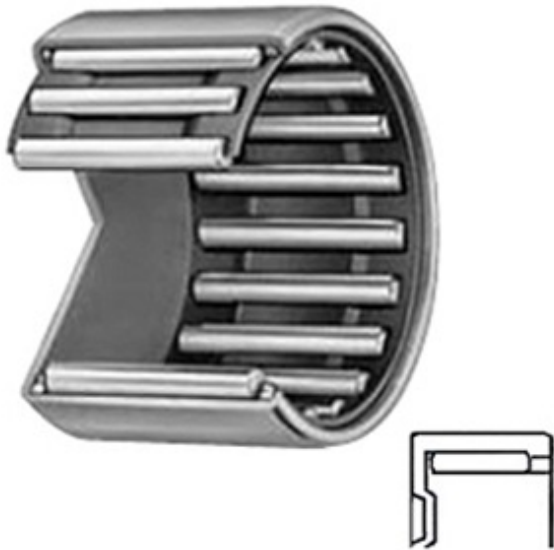




BEARING PRECISION AXLE CORP.



BHAM1616 Bearing 2D drawings and 3D CAD models

1 Inch | 25.4 Millimeter x 1.313 Inch | 33.35
 Millimeter x 1 Inch | 25.4 Millimeter IKO
 BHAM1616 Needle Non Thrust Roller Bearings

Bearing No. BHAM1616

Category	Needle Non Thrust Roller Bearings
Inventory	0.0
Manufacturer Name	IKO
Minimum Buy Quantity	N/A
Weight	0.048
EAN	4549557003721
Product Group	B04144
Rolling Element	Needle Roller Bearing
Component	Roller Assembly with Outer Ring - No Inner Ring
Enclosure	Open
Self Aligning	No
Retainer	Yes
Number of Rows of Rollers	Single Row
Separable	No
Closed End	Yes
Inch - Metric	Inch
Relubricatable	No
Thrust Bearing	No
Long Description	1" Bore; 1-5/16" Outside Diameter; 1" Width; Needle Roller Bearing; Roller Assembly with Outer Ring - No Inner Ring; Open Enclosure; No Self Aligning; Yes Retainer; Single Row of



BEARING PRECISION AXLE CORP.

	Roller
Other Features	1 Rib Outer Ring Drawn Cup Bearing Heavy Duty
Category	Needle Non Thrust Roller Bearing
UNSPSC	31171512
Harmonized Tariff Code	8482.40.00.00
Noun	Bearing
Keyword String	Needle
Manufacturer URL	http://www.ikont.com
Manufacturer Item Number	BHAM1616
Weight / LBS	0.106
D	1.313 Inch 33.35 Millimeter
d	1 Inch 25.4 Millimeter
B	1 Inch 25.4 Millimeter